

TM-2655 TM-2655P

INSTRUCTION MANUAL

Automatic Blood Pressure Monitor

AND

A&D Company, Limited

© 2001 A&D Company Ltd. All rights reserved.

No part of this publication may be reproduced, transmitted, transcribed, or translated into any language in any form by any means without the written permission of A&D Company Ltd.

The contents of this manual and the specifications of the instrument covered by this manual are subject to change for improvement without notice.

WARNING DEFINITIONS

The warnings described in this manual have the following meanings:



WARNING

Important information to alert you to a situation that might cause injury and/or damage to your property if instructions are not followed.



CAUTION

Important information to alert you to a situation that might cause minor injury and/or damage to your property if instructions are not followed.

Note

Important information that helps users operate the device.

COMPLIANCE

Compliance with the European Directive 93/42/EEC for Medical Products

This device conforms to the following requirements: European Directive 93/42/EEC for Medical Products act; Medical Products Act; European Standards for Electrical Equipment EN 60601-1 (General Safety Provisions), EN 60601-1-2 and EN 55011 (Electromagnetic Compatibility); European Standards pertaining to Non Invasive Blood Pressure Instruments EN 1060-1(General Requirements), EN 1060-3 (Supplementary Requirements for Electromechanical Blood Pressure Measuring Systems).

This is evidenced by the CE mark of conformity accompanied by the reference number of a designated authority.

This device was designed for use by adults only.

Compliance with the Australian EMC Frame Work

This device conforms to the following requirements: EMC Emission Standard for Industrial, Scientific and Medical Equipment AS/NZS 2064-1997, EMC Generic Immunity standard AS/NZS 4252.1-1994. This is evidenced by the C-Tick label.

Environment for use

The device is for use in offices, sports facilities, and hospitals (waiting rooms), etc.

NOTE

*This device does not have the function of automatic cycling measurement.
Therefore, a part of this device does not conform to IEC60601-2-30.*

SAFETY PRECAUTIONS



WARNING

Grounding

To avoid electrical shock, connect the power cable to a medical electrical outlet having a ground terminal for grounding the device.

Fuse

To avoid a fire hazard, use only a fuse of the proper type, voltage and current rating as specified on the rear panel. Never bypass a fuse by shorting across the fuse holder and connectors.

Service

Internal service or adjustment to this device should be performed by a qualified person only. Do not disassemble or modify the device.

Device failure

If a device failure occurs, promptly stop using it. Remove the device from the patient and secure the patient's safety. Turn the power off and disconnect the power cable from the electrical outlet. Affix a notice such as "Out of Order" and "Do Not Use" on the device. Ask the nearest dealer for services.

To interpret blood pressure measurements

Only a trained medical professional is qualified to interpret the blood pressure measurements. No device can replace regular medical checkups by a doctor. A doctor should verify the blood pressure measurements before making adjustments to medication.

When the device gets wet because of a liquid spill

If the device gets wet, promptly stop using it. Remove the device from the patient and secure the patient's safety. Turn the power off and disconnect the power cable from the electrical outlet. Affix a notice such as "Out of Order" and "Do Not Use" on the device. Ask the nearest dealer for service.



CAUTION

In case of emergency

Press the EMERGENCY STOP switch located on the front of the device. This will release the air in the arm cuff so that the arm can be removed easily. It also operates if there is a power failure.

To stop the operation at any time

Press the START/STOP switch located on the display panel. The quick exhaust will release the air in the arm cuff and the arm cuff will become loose.

Maintenance/Inspection

Check all functions periodically. Ask the nearest dealer for this inspection.

Do not disassemble or modify the device.

If the device is used for the first time after an extended period of storage, check the device for proper operation.

GENERAL PRECAUTIONS

Obey the following precautions for safe and correct usage.

Precautions unique to the TM-2655/TM-2655P appear on the relevant page in this manual. Read the manual thoroughly before use.

When installing and storing the device

- Install or store the device away from moisture.
- Do not install or store the device where the device may be badly affected by extreme temperature, humidity, direct sunlight, draft, dust, salinity or sulfur content in the air.
- Do not install or store the device where chemicals, and corrosive or explosive gases are stored or present.
- Install or store the device in a secure, level and stable location.
- Install or store the device where adequate power is provided. (Where a medical 3P electrical outlet is provided.)

Before use

- Check to make sure the device operates safely and accurately.
- Check all cables for proper connection.
- When other medical equipment is used at the same time, a diagnostic error or dangerous situation may occur. Check all connections to make sure they do not interfere with each other.
- When other telemeters are used, check that mutual interference will not cause a problem.

During use

- Check the patient and the device during use.
- If medical or operational problems are found in the device or the patient, stop using the device immediately, check the status of the patient and take proper action.
- Do not use the device during MRI scanning.
- Do not use the device on a patient using a heart-lung machine.
- High frequency interference by electrosurgery or energy discharged by a defibrillator may damage the device. Follow the precautions described in the manual for each device.
- Do not use a cellular telephone near the device. It could affect the device's operation.
- The personal computer and medical equipment connected to the device are not allowed to be in the patient area.
- The personal computer used must conform to IEC60950

After use

- Follow the predetermined procedure to return the operation switches to their original positions, and then turn off the power.
- Do not forcibly pull out the cables. Hold the connector with your hand when disconnecting the cable.
- Keep the device clean and in proper operating condition so that it can be used without problem during the next operation.
- Clean the accessories and arrange them before storage.

Environmental protection

- Remove the built-in lithium battery from the device when the device is to be disposed of.
- This device, any part of, and the built-in lithium battery are not treated as ordinary household waste, and must be disposed of according to the applicable regulations.

CONTENTS

WARNING DEFINITIONS	I
COMPLIANCE	II
SAFETY PRECAUTIONS	III
GENERAL PRECAUTIONS	IV
1. INTRODUCTION	3
1-1 Features.....	3
1-2 Unpacking and Inspection	4
1-3 Specifications.....	5
2. PART NAMES	6
2-1 Main Unit.....	6
2-2 Rear Panel.....	7
2-3 Symbols	7
3. INSTALLATION	8
4. OPERATION	9
5. SETTING THE CLOCK	11
5-1 Clock Adjustment Mode.....	11
5-2 A Setting Example.....	11
6. INSTALLING THE PRINTER PAPER	13
7. SETTING THE FUNCTIONS	14
7-1 Function Setting Mode.....	14
7-2 Description of the Functions	15
7-3 Printing Samples.....	16
8. COMMUNICATION SPECIFICATIONS	17
8-1 Channel 1 : Miniature DIN 8-pin	17
8-2 Channel 2: D-sub 9-pin.....	18

9. MAINTENANCE	19
9-1 Replacing the Arm Cuff Cover	19
9-2 Replacing the Fuses	20
9-3 Checking the Counter	20
<i>Displaying the counter</i>	20
<i>Resetting the counter</i>	20
9-4 Error Codes	20
9-5 Maintenance	21
9-6 Cleaning.....	21
9-7 Options and Consumables	22
10. TROUBLESHOOTING	23
11. EXTERNAL DIMENSIONS	24

1. INTRODUCTION

1-1 Features

The TM-2655/TM-2655P is a blood pressure monitor that measures systolic and diastolic blood pressure and pulse. The TM-2655 is a standard model; the TM-2655P is equipped with a printer unit. The features of the devices are as follows:

COMPACT DESIGN

Due to its compactness, the TM-2655/TM-2655P can be installed in an area where space is limited. You can measure your blood pressure on either arm.

AUTOMATIC-CUFF SYSTEM / AUTOMATIC-EXHAUST-ADJUSTMENT SYSTEM

The arm cuff is wrapped around the arm by pressing the START/STOP switch and deflation speed is automatically controlled. No special adjustment is required. All you have to do is insert your arm into the arm insertion section to the shoulder and press the START/STOP switch. The rest is done automatically. You can easily and quickly measure your blood pressure. The TM-2655/TM-2655P is suitable for mass medical check-ups at firms and sports facilities and in hospital waiting rooms when used for a pre-check of the patient's health status.

BUILT-IN PRINTER (TM-2655P only)

The TM-2655P is equipped with a printer unit, which allows measurement results to be printed out for record keeping. The print format can be selected from results only, results with pulse pressure graph or a list of the results.

BUILT-IN CLOCK

The date and time of measurement can be printed along with the measurement results.

COUNTER (UP TO 999999 COUNTS)

The counter indicates how often the device is used. It can be a helpful guideline for maintaining the device.

SAFETY SYSTEM

The TM-2655/TM-2655P adopts an emergency stop system. In case of emergency, pressing the EMERGENCY STOP switch will release the air in the arm cuff so that the arm can be removed easily. This system also functions if there is a power failure.

REPLACEABLE ARM CUFF COVER

The arm cuff cover can be easily replaced.

1-2 Unpacking and Inspection

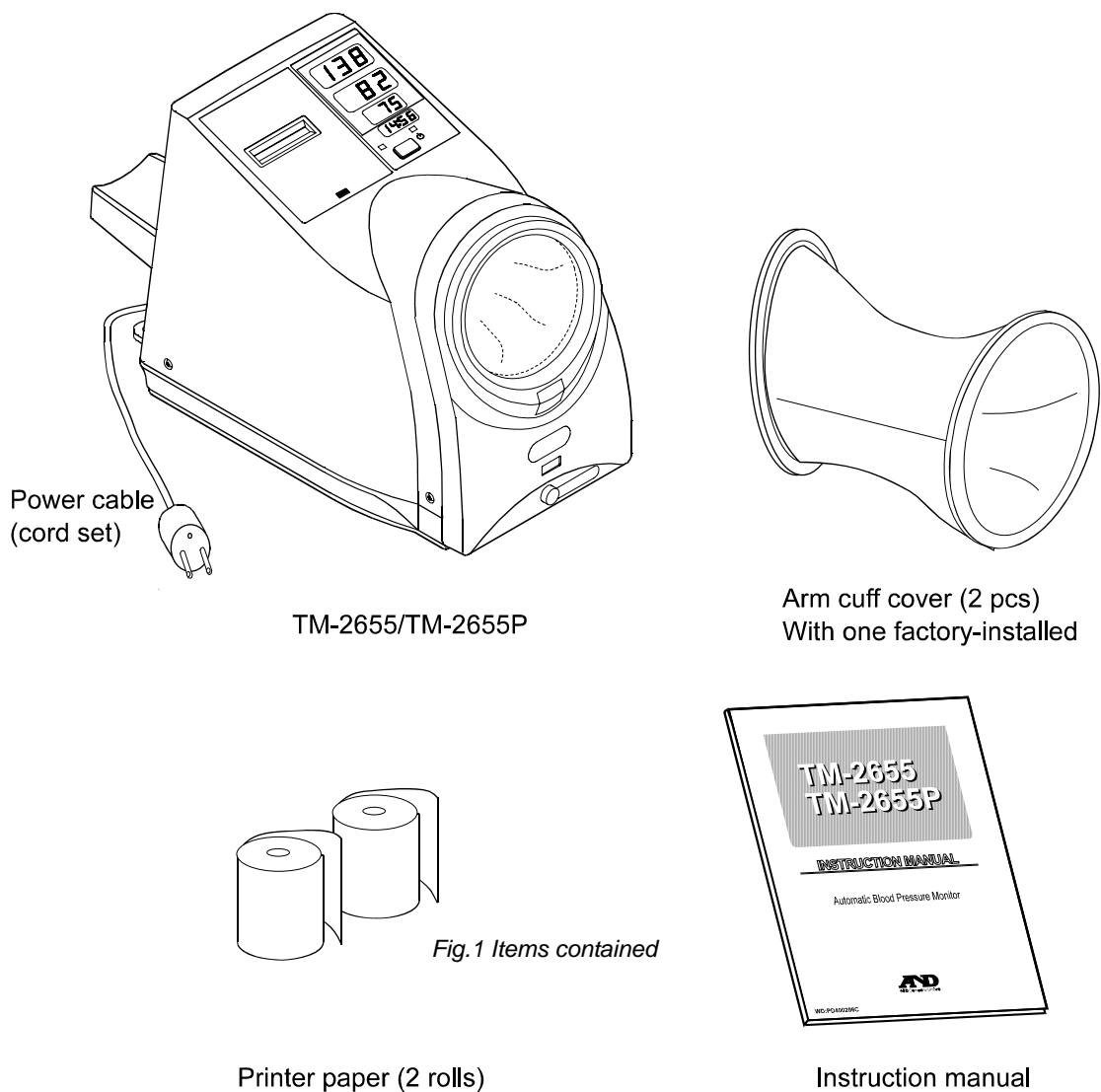
 **CAUTION**

Handle this device carefully at all times. Strong shock to the device may cause trouble during operation.

Note

Save the packing material for later use.


Unpack the TM-2655/TM-2655P carefully and verify that the following items are contained.



1-3 Specifications

Table 1 Specifications

Performance specifications

General	
Power supply	120VAC 60 Hz (For USA area) 230VAC 50 Hz (For Europe area) (factory-preset)
Power consumption	Approx. 40VA
Protection against electrical shock	Class I , Type B 
Display	LED
EMC	EN 60601-1-2
Blood pressure measurement	
Blood pressure measuring method	Oscillometric method
Pressure detection method	Capacitance type pressure transducer
Pressure range	0 – 300 mmHg
Accuracy	Pressure: ± 3 mmHg Pulse rate: $\pm 5\%$
Measurement range	Blood pressure: 10 – 280 mmHg Pulse rate: 30 – 200 bpm
Pressurizing method	Micro pump
Air pressure control method	Rubber valve, ceramic valve
Rapid air exhaust system	Electromagnetic valve
Safety mechanism	The electromagnetic valve is released when approx. 320 mmHg or greater is detected.
Communications functions	Serial output: RS232C level

Environment specifications

Operating temperature and humidity	10 to 40°C, 85%RH or less, non condensing
Storage temperature and humidity	-20 to 60°C, 95%RH or less, non condensing

Physical specifications

Overall dimensions	245(W) X 320(H) X 390(D) mm
Weight	Approx. 9 kg

2. PART NAMES

2-1 Main Unit

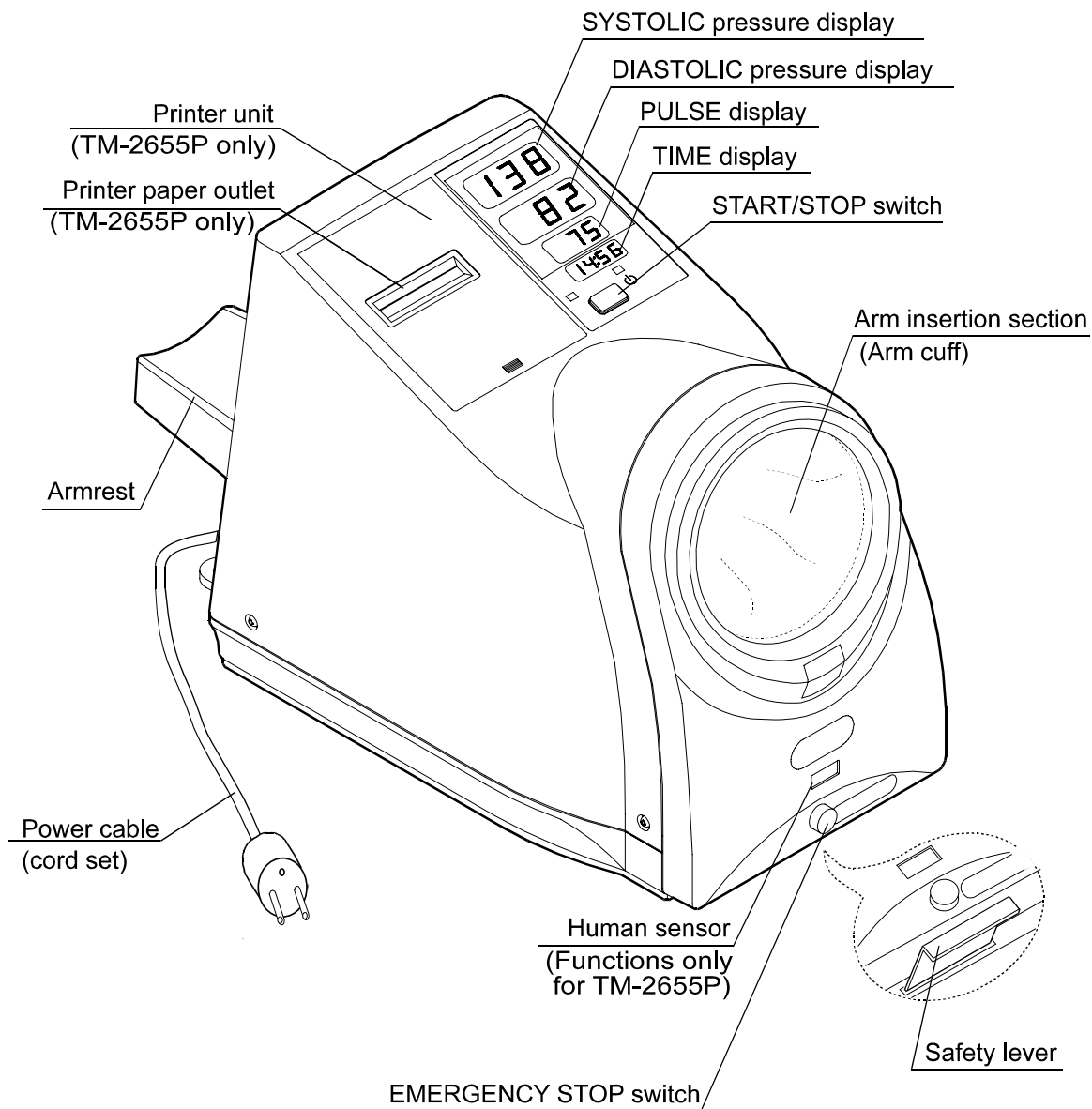


Fig.2 TM-2655/TM-2655P whole view

Note

- The printer unit is available only for the TM-2655P.
- The human sensor area appears the same for both models, but it functions only for the TM-2655P.
- The illustration above is not to scale.

2-2 Rear Panel

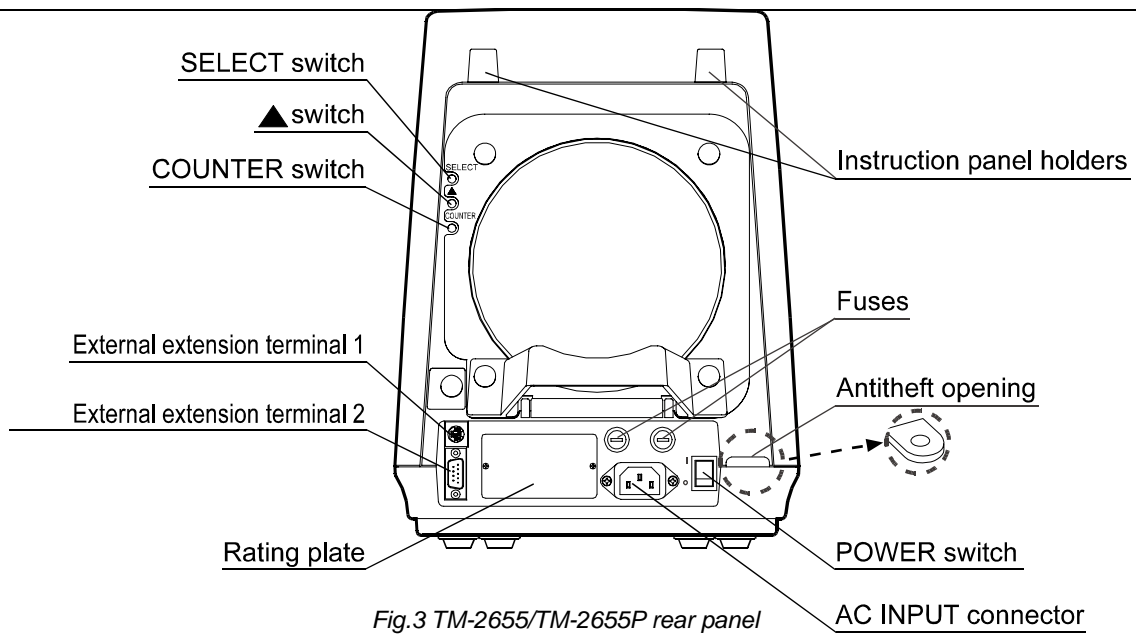


Fig.3 TM-2655/TM-2655P rear panel
(The illustration above is not to scale.)

2-3 Symbols

The symbols used with the TM-2655/TM-2655P have the following functions or meanings.

Table 2 Symbol descriptions

Symbols	Function/Meaning
	Starts and stops a measurement.
	Turns the device on.
	Turns the device off.
	Alternating current
SN	Serial number
	Fuse
	RS-232C
	Date of manufacturer
	Type B: Device, cuff and tubing are designed to provide special protection against electrical shocks.
	The medical device label by the EC directive
	The certification trade mark registered to the Australian Communications Authority by the Trademarks office.
SYSTOLIC	Systolic blood pressure in mmHg
SYS	
DIASTOLIC	Diastolic blood pressure in mmHg
DIA	
PULSE	Pulse beats per minute
PUL	
	See the instruction manual.

3. INSTALLATION

Follow the procedure below to install the TM-2655/TM-2655P.

1. To ensure that the TM-2655/TM-2655P works properly, install the device in an environment where:
 - The temperature range is from 10°C to 40°C (50°F to 104°F).
 - The humidity is less than 85% (non condensing).
 - It is away from water, dust, chemicals, and corrosive or explosive gases.
 - It is not exposed to direct sunlight.
2. Place the TM-2655/TM-2655P on a table solid enough to support its weight.
3. Adjust the height of the chair and table so that the arm insertion section is at the user's heart level.

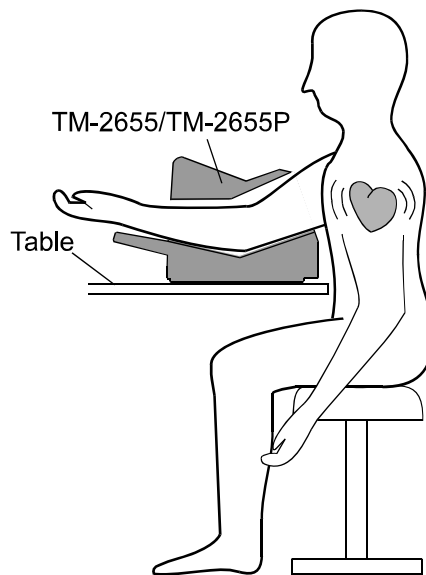


Fig.4 Proper installation

4. Use the power cable provided with the device to connect between the AC INPUT connector and an electrical outlet.

Using the anti-theft opening, secure the device to the table with a solid chain.

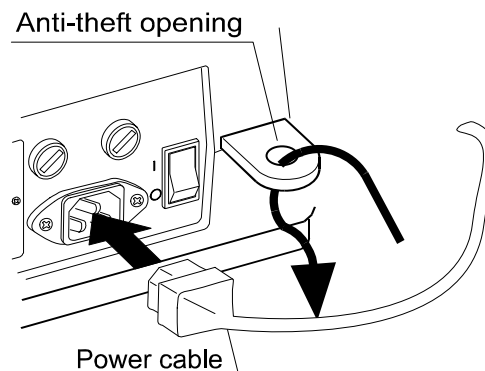


Fig.5 Power cable connection

Note

Be sure to use the correct voltage for the power source.

4. OPERATION

1. Turn on the POWER switch located on the rear panel.

When the POWER switch is turned on, all of the display symbols will appear for several seconds. Then;

- (TM-2655) "0" (zero) appears in the SYSTOLIC pressure display, indicating that the device is ready for measurement.
- (TM-2655P) The human sensor functions for three minutes. When it does not detect a person, ". ." (dot) appears in the SYSTOLIC pressure display, indicating that the device is ready for measurement.

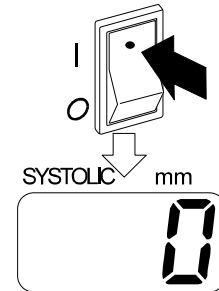


Fig.6 POWER switch and SYSTOLIC display (TM-2566)

2. Take off your jacket.

If you wear a thick jacket, take it off for a better measurement.

Note

Wearing a thick jacket may cause a faint pulse, and result in a measurement error.

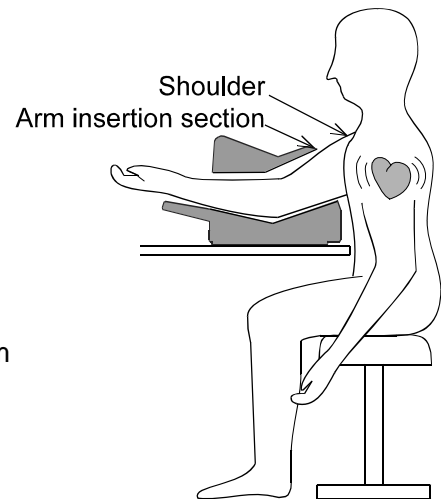


Fig.7 Proper posture

3. Adjust the height of the chair and table.

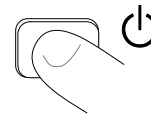
Adjust the height of the chair and table so that the arm insertion section is at your heart level.

4. Insert your arm into the arm insertion section.

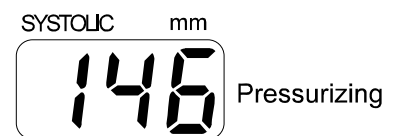
Note

Be sure to insert your arm to the shoulder.

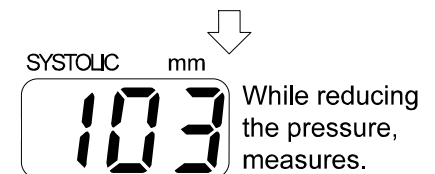
5. Press the START/STOP switch to start measurement.



6. The cuff will be pressurized automatically up to the predetermined pressure. Refer to "7-2 Description of the Functions" for details.



7. When pressurization is complete, the automatic exhaust mechanism will gradually reduce the pressure in the cuff. Just relax and remain still.



↓
To next page

Fig.8 Measuring procedure

8. When the measurement is complete, the air is automatically released from the cuff and the cuff will become loose.
9. The measurement results appear in the display.
10. (TM-2655P) The measurement results are output to the printer.



Fig.9 Measurement results

Note

- To stop the measurement at any time, press the START/STOP switch. The quick exhaust will reduce the pressure in the cuff and the cuff will become loose.
- If the air is not exhausted even when the START/STOP switch is pressed, press the EMERGENCY STOP switch.
- If your arm can not be removed from the cuff due to the power failure, press the safety lever located on the front lower part of the device. It disconnects the clutch to loosen the cuff.
- Please wait for about 10 minutes before repeating the measurement.

5. SETTING THE CLOCK

5-1 Clock Adjustment Mode

The clock is set in the clock adjustment mode. The clock adjustment mode display and switches used are as shown below:

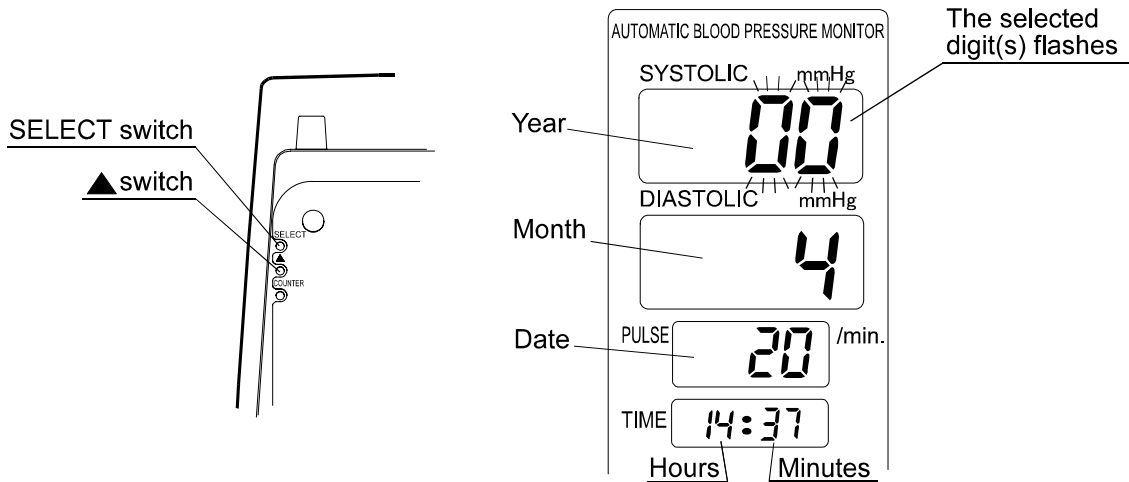


Fig.10 Switches for setting the clock and the clock adjustment mode display

Table 3 Switches for setting the clock

SELECT switch	<p>(1) Press to enter the clock adjustment mode.</p> <p>(2) (In the clock adjustment mode) Press to select the unit to be adjusted. The selected unit flashes. Each time the switch is pressed, the flashing unit changes: from “Year” to “Month”, “Date”, “Hours”, and “Minutes”.</p> <p>(3) Press to quit the clock adjustment mode.</p>
▲switch	Press to change the flashing digit(s).

5-2 A Setting Example

The following is the procedure to adjust the clock to 14:07, April 20, 2001.

1. Press the SELECT switch to make the SYSTOLIC display flash.
2. Press the ▲ switch to display “01” for 2001.
3. Press the SELECT switch to make the DIASTOLIC display flash.
4. Press the ▲ switch to display “4” for April.
5. Press the SELECT switch to make the PULSE display flash.
6. Press the ▲ switch to display “20”.
7. Press the SELECT switch to make the hours section of the TIME display flash.

8. Press the ▲ switch to display “14”.
9. Press the SELECT switch to make the minutes section of the TIME display flash.
10. Press the ▲ switch to display “07”.
11. Press the SELECT switch to return to the measurement mode.

Note

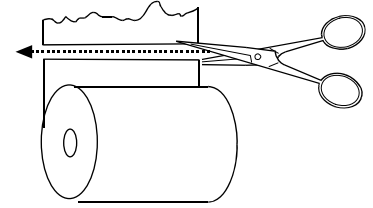
- *If no operation is performed for one minute, while setting the minutes section and for five seconds while setting the others, the settings performed so far will be confirmed and the device will return to the measurement mode.*
- *The clock can be set up to December 31, 2091.*

6. INSTALLING THE PRINTER PAPER

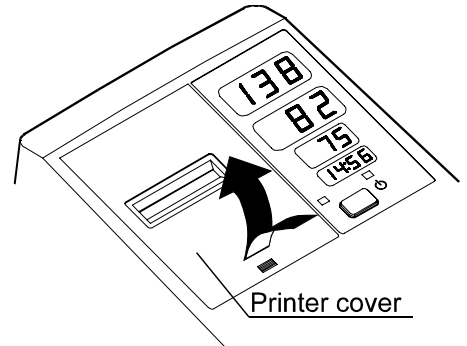
(This chapter is applicable only to the TM-2655P.)

With the power turned on, install the printer paper as follows:

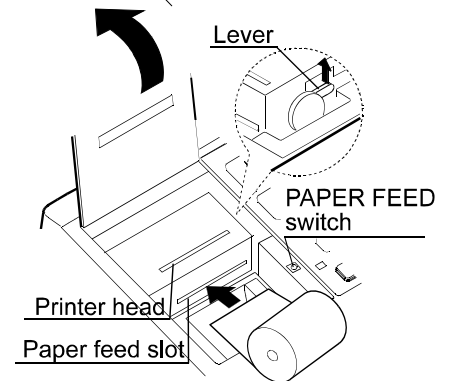
1. Cut the top end of the printer paper with scissors. If the end is not smooth, it may cause a paper jam or damage the printer head.
2. Press lightly on the center of the printer cover to open the cover.



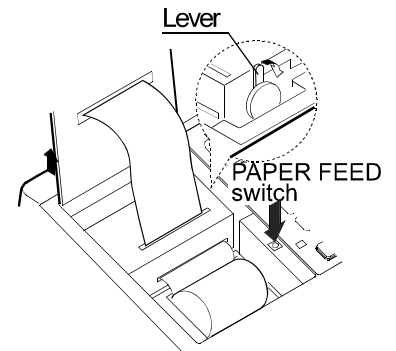
2. Press lightly on the center of the printer cover to open the cover.



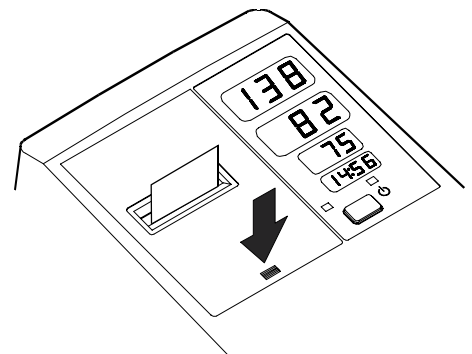
3. Raise the lever located on the right side of the printer. Insert the printer paper into the paper feed slot as shown. The paper is fed automatically.



4. Press the PAPER FEED switch to feed the paper by 10 cm. Confirm that the paper is fed straight. If not, re-install the paper because it may cause a paper jam.
5. Lower the lever and feed the paper. The paper will be cut automatically.



6. Close the cover. Press lightly on the center of the printer cover to secure it in position.



Note

- With high-speed printing, about 700 printings can be performed. With three-line printing, about 600 printings.
- Replace the printer paper when the red end is reached.
- Use the specified thermal paper, which is sold separately.

Fig.11 Paper installation procedure

7. SETTING THE FUNCTIONS

7-1 Function Setting Mode

The TM-2655/TM-2655P is provided with various functions, which allow the user to set the device to suit the user's requirements. The functions are set in the function setting mode. The function setting mode display and switches used are as shown below:

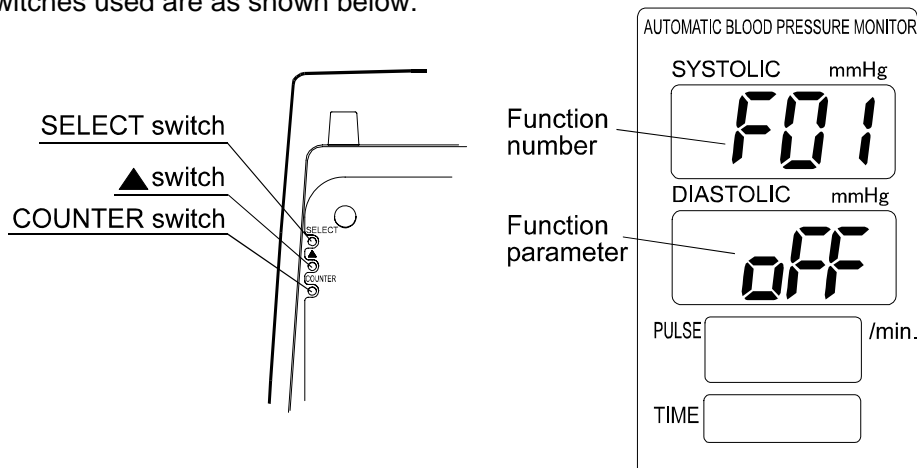


Fig.12 Switches for setting the function and the function setting mode display

Table 4 Switches for setting the functions

▲ switch and SELECT switch	Hold down the ▲ switch and press the SELECT switch to enter the function setting mode.
COUNTER switch	Press to select the function to set.
▲ switch	Press to select the function parameter.

1. Hold down the ▲ switch and press the SELECT switch. "F01" appears in the SYSTOLIC pressure display. This indicates that the monitor is now in the function setting mode.
2. Press the COUNTER switch to select the function number to set. Each time the switch is pressed, the function number changes: from "F01" to "F02" to "F03".
3. Press the ▲ switch to select the function parameter.
4. When the settings are complete, turn the power off and turn it on again. The settings are saved.

7-2 Description of the Functions

Table 5 Functions

No.	Function	SYSTOLIC display	DIASTOLIC display	Description
F01	—————	£01	off	Not available.
F02	Printer setting (See “7-3 Printing Samples” for what each method printing looks like.) TM-2655P only	£02	off	No printing
			1	High-speed printing
			2	3-line printing
			3	3-line printing
			4	Graph printing
			5	Table printing
F03		£03	off	No bit pattern printing
			on	Bit pattern printing
F04	Displaying time	£04	999	The results remain in the display unless another operation is performed.
			5	Displays the results for 5 seconds.
			10	Displays the results for 10 seconds.
			20	Displays the results for 20 seconds.
F05	External connection	Ff05	1	Terminals 1 and 2 to a PC
			2	Terminal 1 to a PC Terminal 2 to a card reader
			3	Terminal 1 to a scale Terminal 2 to a PC
F06	Pressurization	Ff06	au	Automatic pressurization
			160	Pressurizes the cuff up to 160 mmHg.
			180	Pressurizes the cuff up to 180 mmHg.
			200	Pressurizes the cuff up to 200 mmHg.
F07	Channel 1 baud rate	Ff07	120	1200 bps
			240	2400 bps
			480	4800 bps
			960	9600 bps
F08	Channel 2 baud rate	Ff08	120	1200 bps
			240	2400 bps
			480	4800 bps
			960	9600 bps
F09	—————	Ff09	H9	Not available.
F10	Human sensor	Ff10	off	Does not detect a human presence.
			on	Detects a human presence.
F11	Automatic external output	Ff11	off	Does not output the results automatically.
			on	Outputs the results automatically.

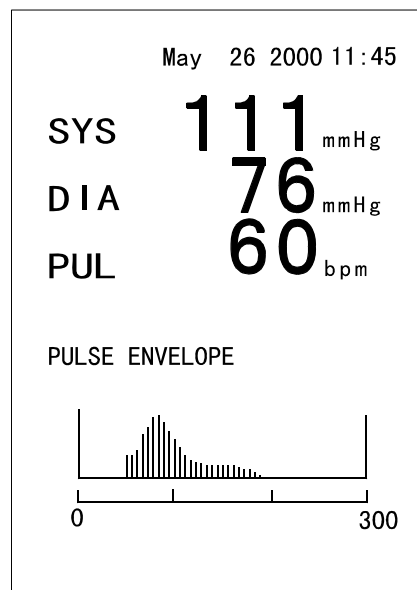
7-3 Printing Samples

High-speed printing

May 26 2000 11:41

SYS	DIA	PUL
110	75	60
[mmHg]	[bpm]	

Graph printing



3-line printing

May 26 2000 11:44

SYS	111	mmHg
DIA	76	mmHg
PUL	60	bpm

Table printing

May 26 2000 11:46

No.	TIME	SYS	DIA	PUL
		[mmHg]	[bpm]	
00001	13:25	109	74	60
00002	13:26	111	75	60
00003	13:27	113	75	59
00004	13:28	113	76	59
00005	13:29	110	76	60
00006	13:30	110	76	59

Bit pattern printing

May 26 2000 11:41

SYS	DIA	PUL
110	75	60
[mmHg]	[bpm]	

AND
A&D Company, Limited

Fig.13 Printing samples

Note

Bit pattern printing is available only for the TM-2655P. With this format, some items such as the company name can be printed. For details, contact your nearest dealer.

8. COMMUNICATION SPECIFICATIONS

The TM-2655/TM-2655P is equipped with two RS-232C channels. Various settings for each channel are available in the function setting mode. Refer to "7-2 Description of the Functions" for details.

8-1 Channel 1 : Miniature DIN 8-pin



- The personal computer and medical equipment connected to the device are not allowed to be in the patient area.
- The personal computer used must conform to IEC60950

Specifications

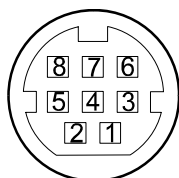
Table 6 Channel 1 specifications

Standard	Conforms to EIA RS-232C
Transmission	Asynchronous, half-duplex
Baud rate	1200, 2400, 4800, 9600 bps (Can be changed in the function setting mode "F07".)
Data bits	8 bits
Parity bit	None
Stop bits	1 bit
Code	ASCII

Equipment available for connection

- Channel 1: Scales, and automatic weight and height scales manufactured by A&D
 Channel 2: Personal computer

Pin assignment



Pin No.	Signal name	Description
1	TXD	Send data
2	RXD	Receive data
3	RTS	Ready to send
4	-	Not connected
5	CTS	Clear to send
6	GND	Signal ground
7	-	Not connected
8	-	Not connected

Note

Do not use pins 4, 7, and 8. They are used by the device.

Fig.14 Pin assignment

Cable connection between the device and a personal computer

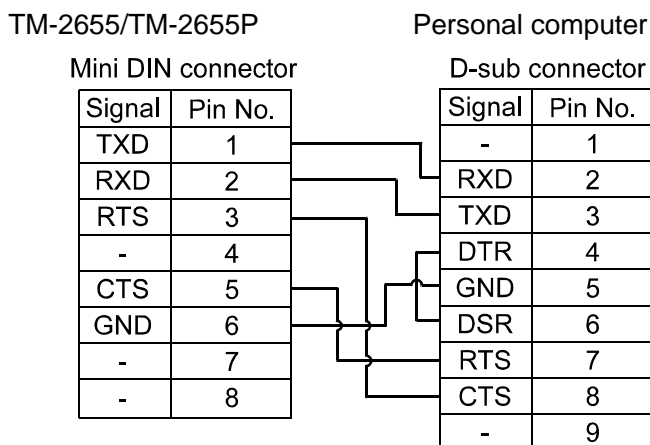


Fig.15 Cable connection diagram

8-2 Channel 2: D-sub 9-pin

 **CAUTION**

- The personal computer and medical equipment connected to the device are not allowed to be in the patient area.
- The personal computer used must conform to IEC60950

Specifications

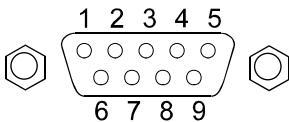
Table 7 Channel 2 specifications

Standard	Conforms to EIA RS-232C
Transmission	Asynchronous, half-duplex
Baud rate	1200, 2400, 4800, 9600 bps (Can be changed in the function setting mode "F08".)
Data bits	8 bits
Parity bit	None
Stop bits	1 bit
Code	ASCII

Equipment available for connection

- Channel 1: Personal computer
 Channel 2: Card reader

Pin assignment



Pin No.	Signal name	Direction	Description
1	-	-	-
2	RXD	In	Receive data
3	TXD	Out	Send data
4	DTR	Out	Data terminal ready
5	GND	-	Signal ground
6	DSR	In	Data set ready
7	RTS	Out	Ready to send
8	CTS	In	Clear to send
9	-	-	-

Note
The protocol depends on the equipment connected.

Fig. 16 Pin assignment

Cable connection between the device and a personal computer

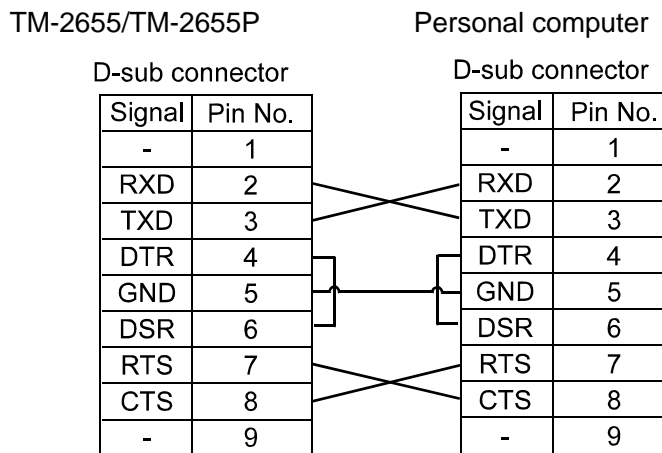


Fig. 17 Cable connection diagram

9. MAINTENANCE

9-1 Replacing the Arm Cuff Cover

Replace the arm cuff cover as follows:

1. Locate the cover at the bottom of the arm insertion section. Slide the cover downward to open it. The screw is exposed.

Using the screwdriver, loosen the screw and remove the front frame.

2. Remove the four screws on the rear panel to remove the armrest and the rear panel.

3. Remove the front vinyl ring of the arm cuff cover from the groove. Remove the rear vinyl ring of the arm cuff cover from the groove. Pull out the arm cuff cover.

4. Place a new arm cuff cover in the arm cuff. Secure the front and rear vinyl rings of the arm cuff cover in the groove. Smooth the cover cloth near the grooves.

5. Replace the rear panel, the armrest, and the front frame in the reversed order of removal. Slide the cover upward to secure it in position.

Note

The arm cuff cover is a consumable. Purchase it separately.

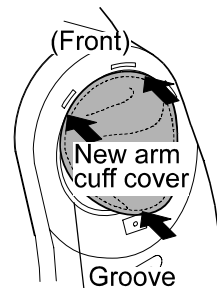
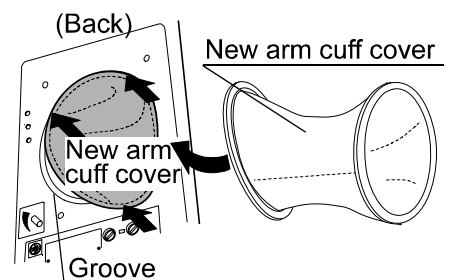
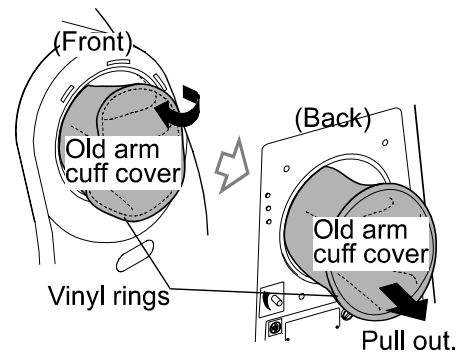
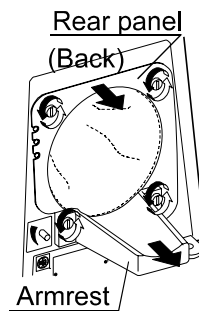
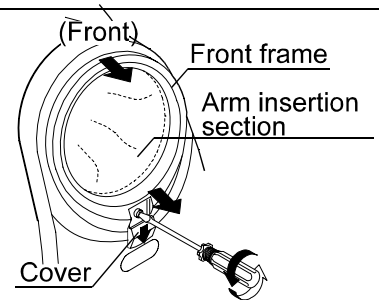


Fig.18 Arm cuff replacing procedure

9-2 Replacing the Fuses

Replace the fuses as follows:

1. Remove the caps of both fuse holders located on the rear panel.
2. Replace both fuses with new ones.
3. Re-install the fuse holder caps.

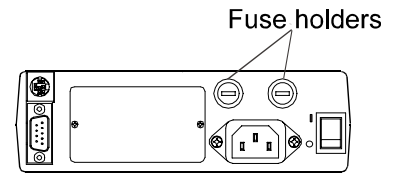


Fig.19 Fuse holders

Note

Use only fuses of the proper type, voltage and current rating as specified on the rear panel, and that conform to IEC60127.

9-3 Checking the Counter

The TM-2655/TM-2655P is equipped with a counter function, which indicates how many times the device has measured blood pressure. The counter data remains in memory even after the power is turned off. Use the counter function to check the frequency of the device use or as the guideline for a periodic cleaning

Displaying the counter

Press the COUNTER switch. The counter data appears in the SYSTOLIC and DIASTOLIC displays for about 4 seconds.

Note

Do not keep the COUNTER switch pressed. It will reset the counter data to zero.

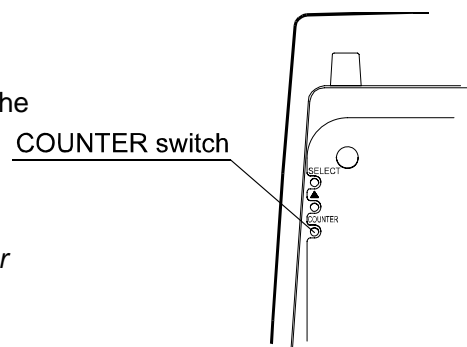


Fig.20 COUNTER switch

Resetting the counter

Hold down the COUNTER switch for 4 seconds or more. The counter data will be reset to zero.

9-4 Error Codes

Table 9 Error codes

Error code	Description
pe	The printer paper has run out. Install a new roll of printer paper.
HU	The printer head is up. Lower the lever and lock the printer paper in position.
err	A measurement error has occurred. Refer to "10. Troubleshooting".

9-5 Maintenance

Do not open the device. It uses delicate electronic components and an intricate air unit that could be damaged. If you can not fix the problem using the troubleshooting instructions, request service from your supplier or from the A&D service group. The A&D service group will provide technical information, spare parts and units to authorized suppliers.

The technical testing procedures, which should be done at least every two years, can be performed either by the manufacturer or by an authorized repair service in accordance with the regulations governing manufacturing of medical products.

9-6 Cleaning



CAUTION

- **Never immerse the TM-2655/TM-2655P in water for cleaning, that may damage the electronic parts inside.**
- **Never use thinner or a strong detergent for cleaning, that may discolor or deform the plastic case and display panel.**

Housing case

Clean the case gently using a soft cloth moistened with water and mild detergent or alcohol.

Display panel

Clean the display gently so as not to scratch the panel surface. Use a soft cloth moistened with water.

Arm cuff cover

When the arm cuff cover becomes dirty or it is worn out, replace with a new one. Refer to "9-1 Replacing the Arm Cuff Cover".

Note

If the cover is not installed properly, it may cause problems in operation.

9-7 Options and Consumables

Options and consumables available for the TM-2655/TM-2655P are shown below. Order them from the nearest dealer. Use the part numbers when ordering.

- Table TM-9325
- Standard stool TM-9312
- Chair (Gas shock suspension) TM-9315A
- Printer paper (5 rolls) AX-PP147-S
- Arm cuff cover AX-133003442-S
- Power cable (cord set) KO:243 (for 230VAC)
- Power cable (cord set) KO:242 (for 240VAC)

10. TROUBLESHOOTING

If the TM-2655/TM-2655P does not function properly or an error code appears, try the following corrective actions.

Table 10 Troubleshooting

Problem	Check this	Corrective action
Nothing appears in the display, even when the power is turned on.	Is the power cable connected properly?	Connect the power cable properly.
	Has a fuse burned out?	Replace both fuses with new ones. (Size 5x20mm. Rated voltage and current are specified on the rear panel).
The cuff will not inflate.	Is the arm cuff cover installed with high tension (too tight)?	Refer to “9-1 Replacing the Arm Cuff Cover” to re-install the cover.
The device will not measure. (Eerr appears.)	Is your posture proper?	Place your arm at your heart level, relax and remain still during the measurement.
	Do you remain still?	Do not move your arm during the measurement. Relax and remain still.
	_____	Wearing a thick jacket may cause a faint pulse, and result in a measurement error. Take off the jacket.
	_____	This device bases its measurements on the heartbeat. If you have a very weak or irregular heartbeat, the device may have difficulty determining your blood pressure.
The printer does not print.	Is the printer paper installed? (pe appears.)	Refer to “6. INSTALLING THE PRINTER PAPER” to install the printer paper.
	Is the printer head up? (HU appears.)	Lower the lever and lock the printer paper in position
	Is the printer paper inserted straight or is the printer paper jammed?	Refer to “6. INSTALLING THE PRINTER PAPER” to re-install the printer paper.
	Is the printer setting correct?	Refer to “7-2 Description of the Functions” to select the correct printer setting.

Note

If the actions described above do not solve the problem, contact the dealer. Do not attempt to repair the device yourself.

11. EXTERNAL DIMENSIONS

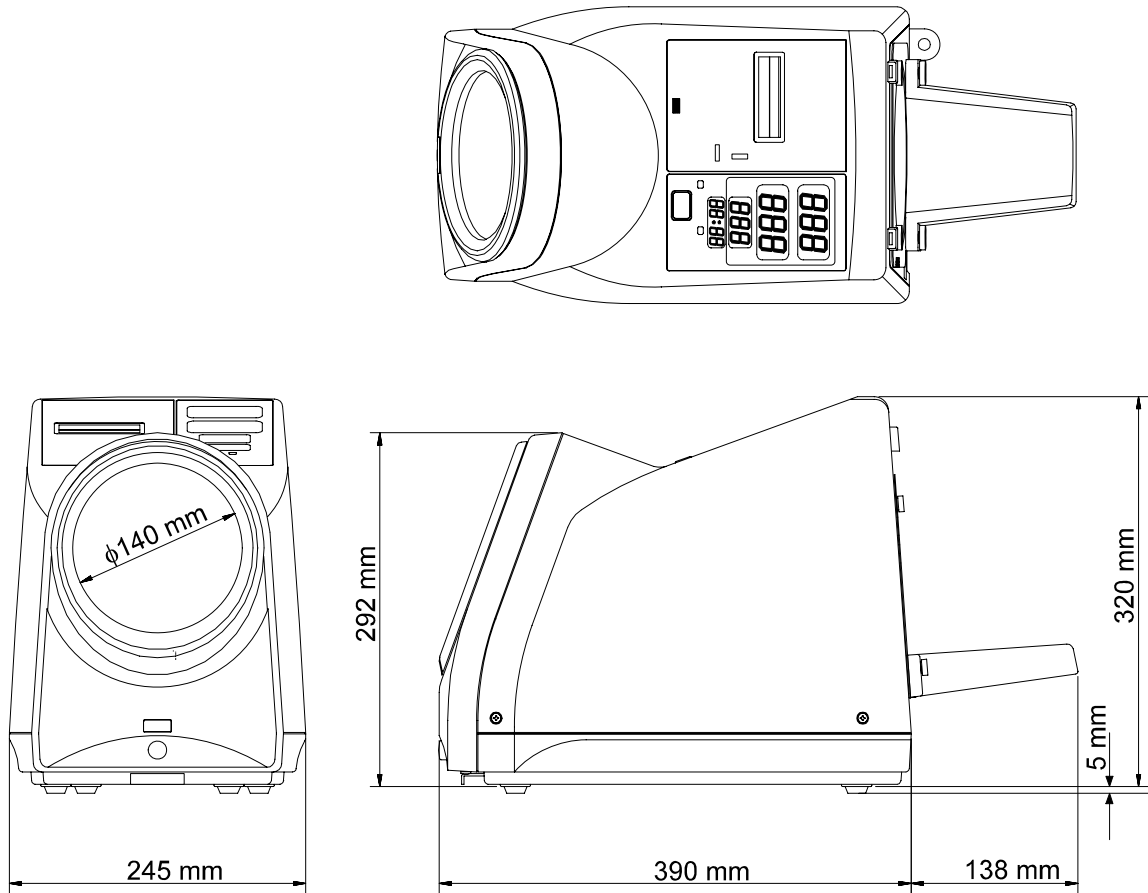


Fig.20 External dimensions

Note

The illustration above indicates the TM-2655P with the printer unit. The dimensions are the same for the TM-2655 and TM-2655P.